

TECHNICAL TIPS

5 ABDUCTION ANGLE ADJUSTMENT

To adjust the abduction angle, loosen the two knobs on each side and gradually lift outward to the required position. Retighten both knobs on each side (**fig. 5a-b**).

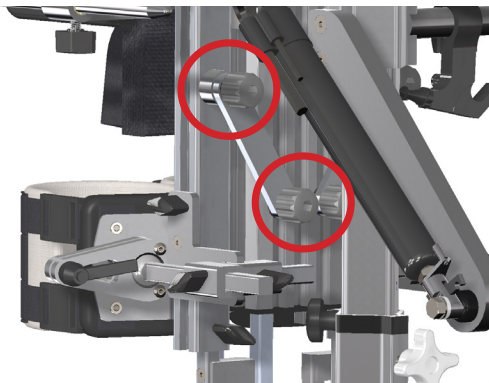


fig. 5a

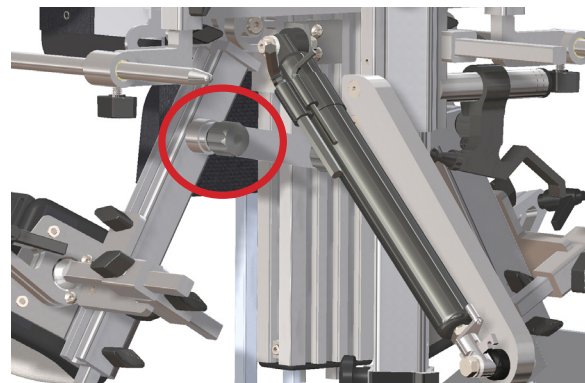


fig. 5b