

# TECHNICAL TIPS

## 2

## ASSEMBLING THE STANDING FRAME

To facilitate transporting the device, it is made in two parts. To separate the standing frame core from its base (**fig. 2b**), loosen the two knobs at the base. Lift the standing frame up so that it totally clears its base (**fig. 2a**). When assembling, tighten the two knobs securely. Always keep the device above the ring indicator to avoid injury.



fig. 2b

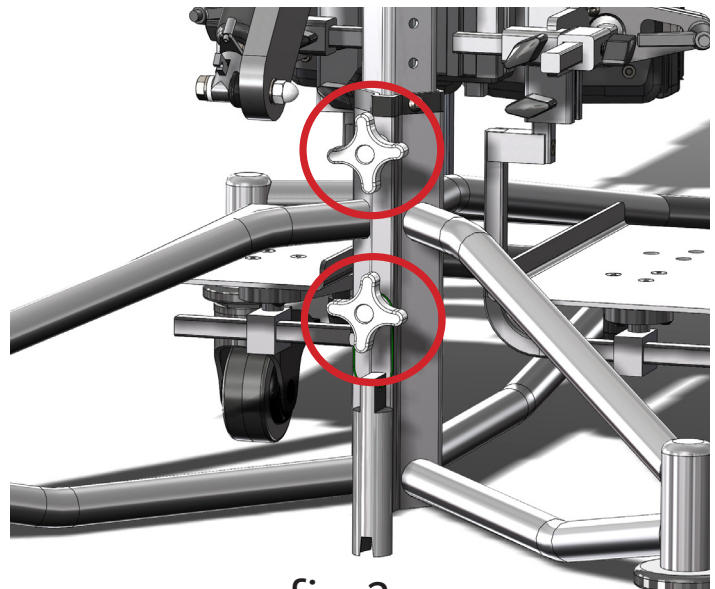


fig. 2a