

TECHNICAL TIPS

8

THORACIC SUPPORT ADJUSTMENT

To adjust the height of the thoracic supports, loosen the two knobs located in the upper part of the core (**fig. 8a**). Slide the top part of the support up or down to the desired height and retighten. To adjust the width of the thoracic supports, loosen the two knobs on each side of the core and slide sideways to the required width (**fig. 8b**). Firmly retighten the four knobs.

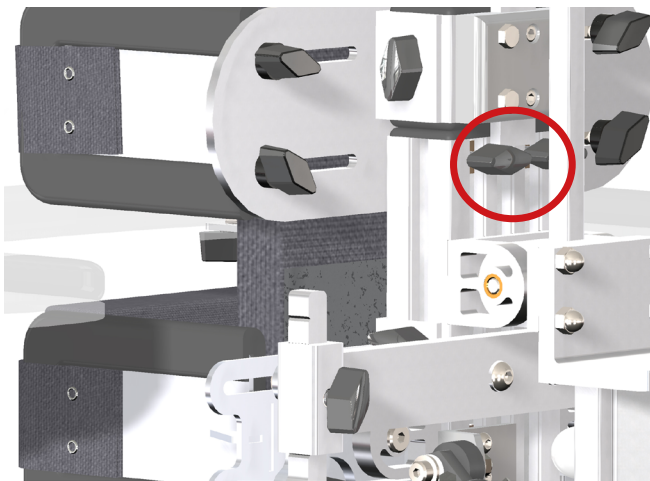


fig. 8a

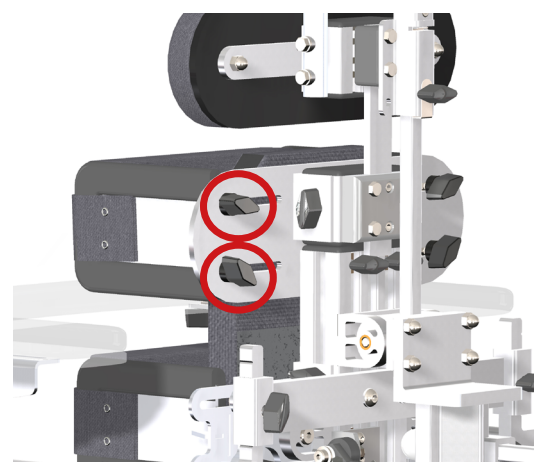


fig. 8b