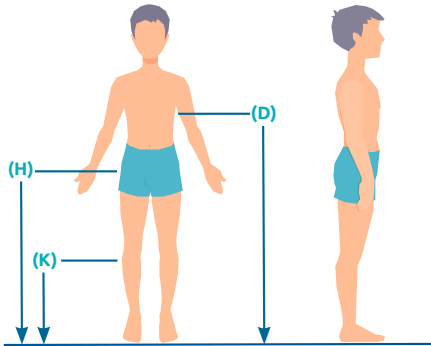


Company :
Quote :
PO Number :
Marked for :
Ship to :

Address :
City :
State :
Zip :
Phone :

1 SKY Sizes

Comments:



HEIGHT	SIZE 1		SIZE 2		SIZE 3	
	Max weight: 100 pounds		Max weight: 160 pounds		Max weight: 160 pounds	
	Minimum	Maximum	Minimum	Maximum	Minimum	Maximum
(D) Floor to Axilla	20"	32"	27"	41"	34"	48"
(K) Floor to knee	4"	12"	4"	16"	4"	20"
(H) Floor to Mid Hip	15"	25"	19.5"	31"	25.5"	38"

2 SKY Multi-positioning upright prone Standing Frame

■ Size 1 - 3285 \$
(023-00001-1)

■ Size 2 - 3285 \$
(023-00001-2)

■ Size 3 - 3285 \$
(023-00001-3)

3 Options

■ Locking Casters - 198 \$
(023-00020)

■ Pneumatic Tilt System - 1400 \$
(023-00021)

4 SKY Adjustment range

Frame Tilt

- Size 1 (0 to 24 degrees)
- Size 2 (0 to 26 degrees)
- Size 3 (0 to 19 degrees)

Tray

- Height adjustment (3")
- Front and rear adjustment (3.25")
- Tilt adjustment (0 to 25 degrees)

Thoracic support

- Height adjustment Size 1 (12")
Size 2 (14")
Size 3 (14")
- Width adjustment (4")

Hip support

- Height adjustment Size 1 (10")
Size 2 (11.5")
Size 3 (12.5")
- Width adjustment (4")
- Depth adjustment Size 1 (4.25")
Size 2 (5.25")
Size 3 (6.25")

Knee support

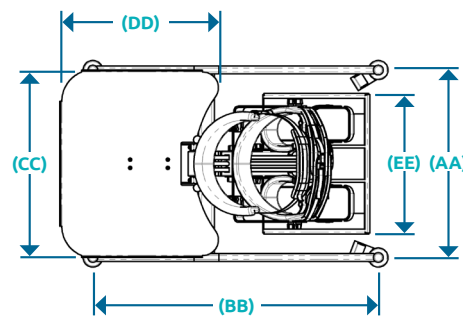
- Height adjustment Size 1 (8")
Size 2 (12")
Size 3 (16")
- Width adjustment (1.8125")
- Front and rear adjustment (2")

Foot Holder

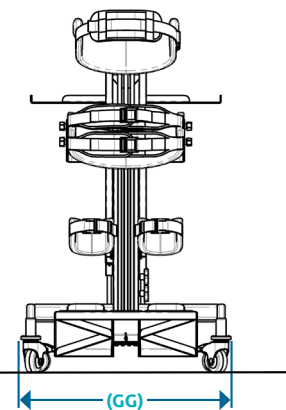
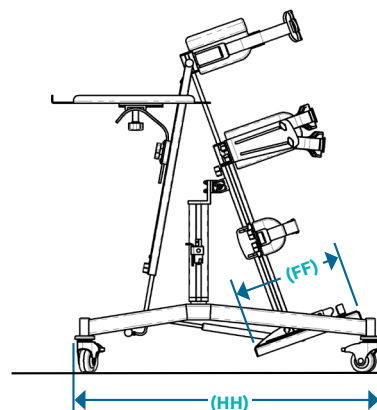
- Moveable using hook-and-loop strip

5 SKY Dimensions

The SKY includes frame tilt, Tray, Thoracic support, hip support, knee support, foot holder, foot glide and mechanical tilt system.



DIMENSIONS		SIZE 1	SIZE 2	SIZE 3
	(AA) Base width	20"	24"	24"
	(BB) Base length	30"	36"	36"
	(CC) Tray width	20"	24"	24"
	(DD) Tray length	16"	20"	20"
	(EE) Foot plate width	14"	18"	18"
	(FF) Foot plate length	12"	14"	14"
	(GG) Overall width	22.5"	26.5"	26.5"
	(HH) Overall length	32.5"	38.5"	38.5"



6 SKY Technical Specs

	SIZE 1	SIZE 2	SIZE 3
USER SIZE AND WEIGHT			
User height (floor to axilla)	50.8cm-81.3cm (20"-32")	68.6cm-104.1cm (27"-41")	86.4cm-127cm (34"-48")
User weight	45 g (100 lbs)	72 g (160 lbs)	72 kg (160 lbs)
Knee to floor measurement	10.1cm-30.5cm (4"-12")	10.1cm-40.6cm (4"-16")	10.1cm-50.8cm (4"-20")
Mid hip to floor measurement	38.1cm-63.5cm (15"-25")	49.5cm-78.7cm (19.5"-31")	63.5cm-96.5cm (25.5"-38")
CHEST			
Maximum Chest circumference	73.7cm (29")	83.8cm (33")	101.6cm (40")
Chest width	12.7cm-22.9cm (5"-9")	17.8cm-27.9cm (7"-11")	22.9cm-33cm (9"-13")
Chest support height	10.1cm (4")	10.1cm (4")	12.7cm (5")
HIP			
Maximum Hip circumference	73.7cm (29")	83.8cm (33")	101.6cm (40")
Hip width	12.7cm-22.9cm (5"-9")	17.8cm-27.9cm (7"-11")	22.9cm-33cm (9"-13")
Hip support height	10.1cm (4")	10.1cm (4")	12.7cm (5")
BASE			
Base width (c/c wheels)	50.8cm (20")	61cm (24")	61cm (24")
Base length (c/c wheels)	76.2cm (30")	91.4cm (36")	91.4cm (36")
TRAY			
Tray inside width	50.8cm (20")	61cm (24")	61cm (24")
Tray inside length	40.6cm (16")	50.8cm (20")	50.8cm (20")
Tray tilt angle range	0 to 25 degrees	0 to 25 degrees	0 to 25 degrees
Measurement from table to axilla	3.3cm-9.9cm (1.3"-3.9")	7.6cm-14.2cm (3"-5.6")	10.9cm-18.3cm (4.3"-7.2")
KNEE			
Maximum Knee circumference	33cm (13")	38cm (15")	43.2cm (17")
Knee width	3.8cm-8.9cm (1.5"-3.5")	6.4cm-10.1cm (2.5"-4")	7.6cm-14cm (3"-5.5")
Knee support height	10.1cm (4")	10.1cm (4")	10.2cm (4.5")
FOOT PLATE AND FOOT HOLDER			
Foot plate (Width X Length)	35.6cm x 30.5cm (14" x 12")	45.7cm x 35.6cm (18" x 14")	45.7cm x 35.6cm (18" x 14")
Foot Holder (Width X Length)	8.9cm x 19.1cm (3.5" x 7.5")	10.1cm x 22.9cm (4" x 9.5")	12.1cm x 30.5cm (4.75" x 12")
OTHERS			
Frame tilt range	0 to 24 degrees	0 to 26 degrees	0 to 19 degrees
Floor to foot plate measurement	10.1cm (4.5")	7.6cm (3")	7.6cm (3")
Unit weight with Tray	17 kg (38 lbs)	22 kg (48 lbs)	24 kg (53 lbs)
Overall width	57.2cm (22.5")	63.3cm (26.5")	63.3cm (26.5")
Overall length	82.5cm (32.5")	97.8cm (38.5")	97.8cm (38.5")
User height (from floor to top head)	71.1cm-119.4cm (28"-47")	94cm-150cm (37"-59")	121.9cm-182.9cm (48"-72")