

Standing Frames VERTIFLEX 1-2-3

USER MANUAL



Stand **up**
Strong

Synetik
ErgoCare

✉ client@synetikgroup.com

☎ 450-759-9449 / 1-866-739-2400

📍 1242, rue de Lanaudière, Joliette (Québec), Canada, J6E 3P1

www.synetikergocare.com

R01

INDEX

Groupe

Synetik

Group

Synetik Group Inc. sincerely thanks you for your trust in choosing the **VERTIFLEX** standing frame.

The **VERTIFLEX** range has been designed to allow the user to safely adopt a standing position. This posture promotes blood circulation, improves digestion, and stimulates muscle development, while meeting a wide variety of therapeutic positioning needs.

Three types of standing frames are available:

VERTIFLEX STANDARD : model without leg abduction.

VERTIFLEX ABDUCTION : model with leg abduction.

VERTIFLEX MOBILE : model without leg abduction, with mobility.

For the VERTIFLEX S4-S5-S6 standing frame, please refer to the VERTIFLEX 4-5-6 user manual.

Each **VERTIFLEX** device is designed to ensure appropriate, safe, and adapted use, thereby contributing to improved quality of daily life.

We invite you to carefully read this user manual to quickly become familiar with the device, maximize its benefits, and ensure safe and effective use.

Caroline Saulnier
CEO



Contact Information	3
Overview	4
Unpacking	5
Assembly and Disassembly for Transport	5
Product Labeling	6
Intended Purpose	6
Warranty	6
Product History Record	7
Product Training	7
Safety Information	8
Required Tools	9
VERTIFLEX Abduction, Standard and Mobile – User Transfer Procedures	10
VERTIFLEX Abduction, Standard and Mobile – Common Adjustments	11
VERTIFLEX Mobile – Operation and Maneuvering	18
VERTIFLEX Mobile – Common Adjustments	21
Cleaning and Maintenance	24
Daily Inspection	24
Annual Inspection, Maintenance and Replacement Parts	25
Maintenance Services	26
Storage	26
Reuse with a New User	26
Technical Specifications	27

USER MANUAL

This manual applies to VERTIFLEX Standard and VERTIFLEX Abduction models in sizes 1, 2, and 3, as well as VERTIFLEX Mobile models in sizes 2 and 3.

Retailer: This manual must be provided to the user of the Synetik VERTIFLEX standing frame before its first use.

User: Before operating the Synetik VERTIFLEX standing frame, carefully read this manual and keep it for future reference.

Synetik Group Inc. reserves the right to modify or revise, without notice, the specifications and illustrations contained in this document.

For more information about products, parts, accessories, and services, please contact Synetik Group Inc.

VERTIFLEX STANDING FRAME

Thank you for choosing the Synetik VERTIFLEX standing frame.

We welcome your feedback and invite you to contact us with any questions regarding this guide, the product’s reliability, safety, and operation, or the maintenance and repair services offered by authorized Synetik service centers.

WARNING – READ THIS MANUAL

Do not use the VERTIFLEX standing frame without first reading and understanding this user manual.

If you are unable to understand the warnings, precautions, or instructions, contact your Synetik retailer or our customer service team at 1-866-739-2400 before using the standing frame.

Failure to follow this warning could result in a fall, tip-over, or loss of control, leading to serious injury, injury to others, or damage to the standing frame.

Manufactured in Canada with Canadian and imported components.

CONTACT US

Groupe Synetik Inc.
1242, rue de Lanaudière, Joliette (Québec), Canada, J6E 3P1
1-450-759-9449 / 1-866-739-2400
client@synetikgroup.com



Manufacturer Name and Address



Do not use if package is damaged and consult instructions for use



Machine wash temperature 30°C



Do not dry clean



Serial Number



Non-sterile



Do not bleach



Medical Device



Caution



Line dry



Weight Capacity



Consult electronic instructions for use



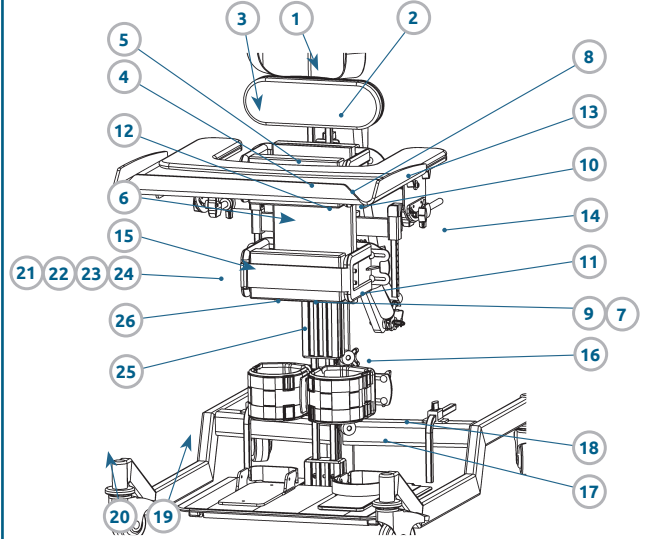
Do not iron

1. OVERVIEW

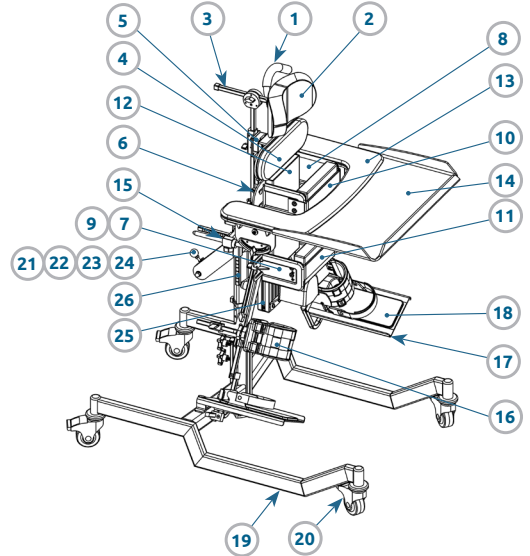
PARTS LIST

1. Handling handle
2. Headrest
3. Headrest support
4. Shoulder support
5. Anchor block for armpads, headrest, and shoulder supports
6. Thoracic lateral receptacle
7. Hip lateral receptacle
8. Thoracic lateral
9. Hip lateral
10. Padded thoracic strap
11. Padded hip strap
12. Padded apron
13. Half table cushion
14. Table
15. Universal table bar
16. Knee support
17. Footrest
18. Foot support
19. Base
20. Swivel caster
21. Gas cylinder
22. Gas cylinder hand-lever lock
23. Gas spring activation lever
24. Gas spring activation strap
25. Frame
26. Mast
27. Side wheel
28. Push ring
29. Side wheel lock

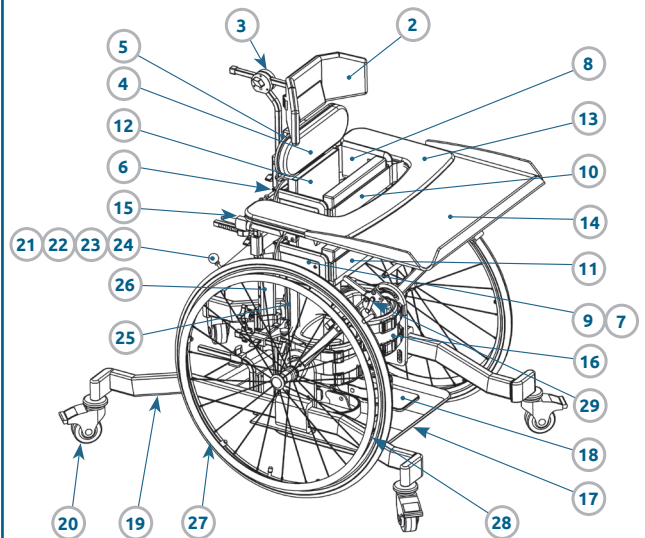
STANDARD without abduction
VERTIFLEX Supine shown



ABDUCTION with abduction
VERTIFLEX Supine shown



MOBILE without abduction
VERTIFLEX Supine shown



2. UNPACKING

2.1 SAFETY INSTRUCTIONS

- Inspect the packaging for any damage during transport and verify that the product is in perfect condition.
- Carefully remove the product from its packaging.
- Keep packaging materials and small parts out of reach of young children to prevent choking or ingestion hazards.
- The product is delivered fully assembled, adjusted, and ready for use.
- Handle all components with care.
- Use tools safely and according to their instructions.

2.2 ENVIRONMENTAL PROTECTION

All packaging materials are recyclable. Do not dispose of packaging materials with household waste. Please recycle them appropriately.

3. ASSEMBLY AND DISASSEMBLY FOR TRANSPORT

To facilitate transport, the VERTIFLEX standing frame is designed in two sections: the base (A) and the frame (B). (Fig. 3.1)

ASSEMBLY (Fig. 3.1 and 3.2)

Insert the frame (B) into the base (A), then firmly tighten the two tightening knobs (C). Make sure the safety ring (D) is properly bolted before tightening the tightening knobs (C).

DISASSEMBLY (Fig. 3.1 and 3.2)

Loosen the two tightening knobs (C) on the base (A) slightly, then lift and completely remove the frame (B) from the base (A).

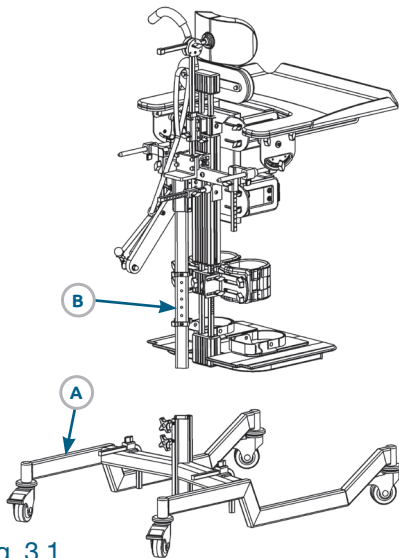


Fig. 3.1
VERTIFLEX Standard Supine shown

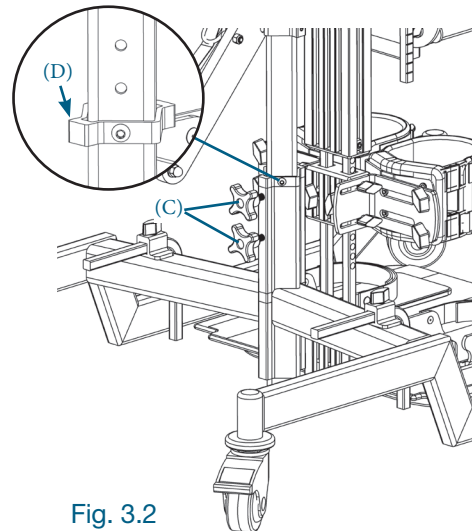
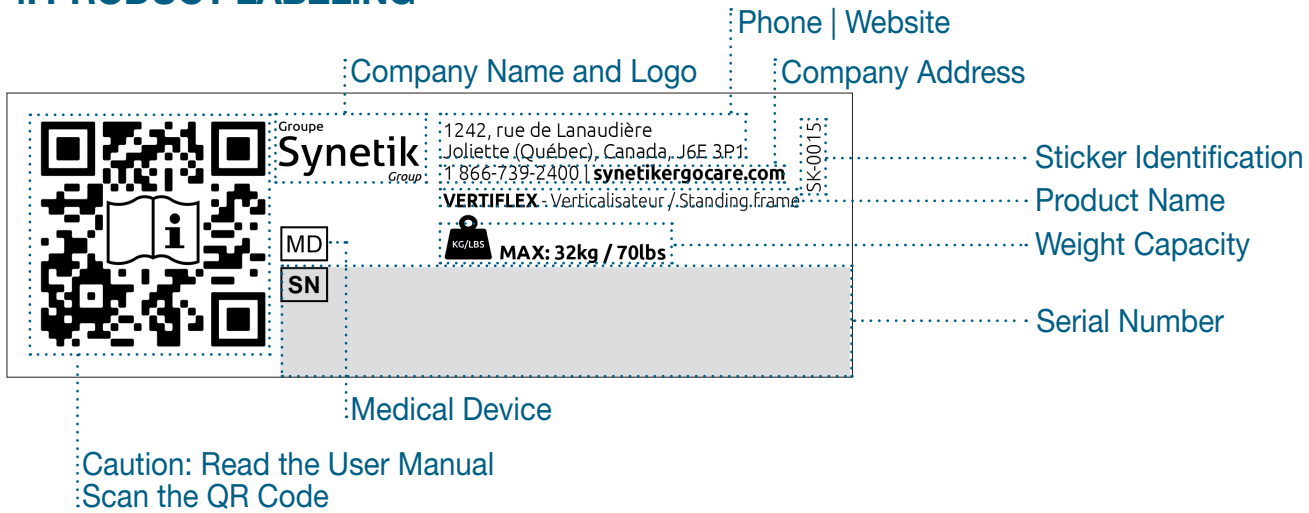


Fig. 3.2
VERTIFLEX Standard Supine shown

4. PRODUCT LABELING



5. INTENDED PURPOSE

The VERTIFLEX standing frame is designed for use in a standing position, at home, at school, or in care facilities. Standing promotes normal hip development, strengthens muscles, and contributes to psychological well-being.

Available in Standard, Abduction, and Mobile versions, the standing frame comes in three sizes to accommodate the specific needs and requirements of users with reduced mobility.

	Maximum User Weight	
	Standard and Abduction	Mobile
Size 1	23 kg (50 lb)	-
Size 2	32 kg (70 lb)	32 kg (70 lb)
Size 3	68 kg (150 lb)	68 kg (150 lb)

6. WARRANTY

4.1 WARRANTY TERMS

The warranty coverage extends to the original user for as long as they own the Synetik Group Inc. VERTIFLEX standing frame. This warranty applies to the VERTIFLEX standing frame (“the product”). Synetik Group Inc. (“the company”) will repair or replace any product found to be defective due to material or manufacturing defects, under the following conditions:

Frame: 5 year warranty for the original user, subject to terms, limitations, and conditions.

Gas Cylinder: One (1) year warranty for the original user, subject to terms, limitations, and conditions.

Wheels/Brakes for Mobile: Manufacturer’s warranty for the original user, subject to terms, limitations, and conditions.

Straps: One (1) year warranty for the original user, subject to terms, limitations, and conditions.

Other Components: Includes coating, covers, padding, plastic parts, rubber parts, wheels, bearings, and other parts not specifically listed above. These are covered against material and manufacturing defects for three (3) months from the original purchase date, subject to terms, limitations, and conditions.

6. WARRANTY (continued)

6.2 WARRANTY TERMS

This warranty is valid from the original purchase date for the consumer. Any defective product must be delivered to Synetik Group Inc. or an authorized local dealer, at the purchaser's expense, for warranty inspection. Return shipping costs will be prepaid by Synetik Group Inc. To locate an authorized dealer near you, contact Synetik Group Inc. at 1-866-739-2400.

6.3 LIMITATIONS AND EXCLUSIONS

The warranty described above does not apply to:

- (a) a product if the serial number has been removed or defaced;
- (b) any product subjected to negligence, abuse, misuse, improper operation, maintenance, or storage, or damage beyond the control of Synetik Group Inc., as determined by Synetik Group Inc.;
- (c) defects resulting from the user failure to follow instructions.

Any modifications or addition of parts not authorized, manufactured, or supplied by Synetik Group Inc. voids the warranty. Repair or replacement of defective parts or products by Synetik Group Inc. shall be the sole and exclusive remedy under this warranty. Labor or service costs are not covered and are not the responsibility of Synetik Group Inc.

This warranty is exclusive and replaces all other warranties, express, implied, or statutory, including any implied warranties of merchantability or fitness for a particular purpose. Under no circumstances shall Synetik Group Inc. be liable for indirect or consequential damages.

7. PRODUCT HISTORY RECORD

Your Synetik product is classified as a Class 1 medical device and should only be prescribed, configured, or reissued for use by a technically competent person trained in its operation. Synetik Group Inc. recommends maintaining a written record detailing all configurations, reissue inspections, and annual inspections of the product.

8. PRODUCT TRAINING

As a Class 1 prescription medical device, your Synetik product should be used only by individuals who have received proper guidance. Synetik Group Inc. recommends that parents, teachers, and caregivers be trained by a technically competent person on the following sections of this user manual:

Section 9: Safety Information

Section 11: VERTIFLEX Abduction, Standard and Mobile – User Transfer Procedures

Section 12: VERTIFLEX Abduction, Standard and Mobile – Common Adjustments

Section 13: VERTIFLEX Mobile – Operation and Maneuvering

Section 14: VERTIFLEX Mobile – Common Adjustments

Section 16: Daily Inspection

Synetik Group Inc. also recommends keeping a written record of all individuals trained in the proper use of this product.

9. SAFETY INFORMATION

The safety information and warnings in this section apply to VERTIFLEX Standard and VERTIFLEX Abduction models in sizes 1, 2, and 3, as well as VERTIFLEX Mobile models in sizes 2 and 3.

9.1 GENERAL INSTRUCTIONS

- Always read and follow the instructions before use. Failure to do so, especially regarding moving parts, may pose a risk to the user.
- Use only components approved by Synetik with your product. Do not modify the product in any way. Unauthorized modifications may endanger the user or caregiver and will void the product warranty.
- If you have any doubts about the safe continued use of the product or notice a component failure, discontinue use immediately and contact Synetik Group Inc. or your local authorized dealer.
- The product contains small components that could pose a choking hazard to young children. Ensure that all child-accessible knobs and locking bolts are properly tightened and secured at all times.
- Clean the product regularly using non-abrasive cleaners. Perform routine maintenance checks to ensure it remains in safe and proper working condition.
- Confirm that the prescriber has properly configured the product. **DO NOT USE** the product if it has not been configured by your prescriber.
- Ensure that all individuals handling the product are trained on its use and have read the user manual.
- The product is suitable for both indoor and outdoor use. When not in use, store it in a dry location away from extreme temperatures. The safe operating temperature range is +5°C to +40°C (+41°F to +104°F).
- Discontinue use if the product is damaged or broken.
- In the event of a serious incident, report it immediately to Synetik Group Inc. and the appropriate authorities.
- Synetik Group Inc. reserves the right to make technical modifications, which may result in differences between the product and its depiction in media or documentation.
- All adjustments during use must strictly comply with the limits specified in the technical specifications table.

9.2 WARNING

- Synetik Group Inc. strongly advises that the user never be left unattended while using this medical device. Without supervision, the user may slip or fall, potentially resulting in serious injury. It is the caregiver's full responsibility to ensure the user's safety while in the device.
- Synetik Group Inc. products must be thoroughly inspected at least once a year and periodically reviewed by a qualified prescriber to ensure safe and appropriate use. The reviewer must confirm that the product remains stable and secure during use, with special attention to users whose clinical condition, body size, or behavior may have changed since the device was first issued, particularly if movements such as excessive rocking could compromise stability.

9. SAFETY INFORMATION (continued)

9.2 WARNING (continued)

- All adjustments made during use must strictly comply with the limits specified in the technical specifications table.
- When placing the user in the equipment, always secure the pelvic strap first for safety. Attach the chest and knee straps afterward.
- When the product is stationary, ensure all wheels are locked and oriented outward from the base to enhance stability.
- Never adjust the overall height of the equipment while the user is in it. Minor position adjustments may be made safely while the user is in the equipment.
- DO NOT use the equipment on surfaces with a slope greater than 5 degrees. Always ensure all wheels are locked.
- The product contains plastic components and must be kept away from all direct heat sources, including open flames, cigarettes, and electric or gas heaters.
- DO NOT place hot items exceeding +40°C (+104°F) on the tray.
- Always adjust all straps to fit securely around the user and fasten all strap buckles properly to prevent slipping, falling, or serious injury during use.
- NEVER leave the user unattended when getting in or out of the product.
- Always check the functionality of the wheel brakes before use. If a brake is not working correctly, DO NOT use the product.
- NEVER add any weight other than the user to the equipment, as this may cause the product to tip over.
- NEVER use the product in a vehicle.
- NEVER use the product on an escalator.
- NEVER take the product down stairs with the user inside.
- NEVER move the product while the user is inside.
- DO NOT feed the user while they are in the VERTIFLEX, as first aid may not be possible in the event of choking.
- The product is designed for one user only at a time.

10. REQUIRED TOOLS

Provided with the product:

- 4 mm Allen key for adjusting certain components (Fig. 10a);
- Wrench for tightening the locking knobs (Fig. 10b)

Not provided with the product:

- 1/8" Allen key for adjusting certain components



Fig. 10a
Allen key 4mm

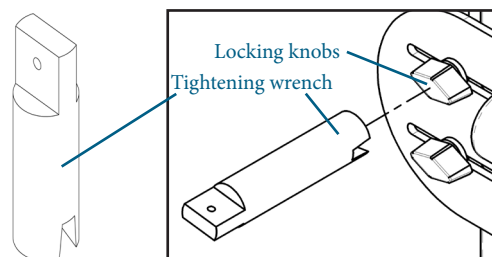


Fig. 10b
Tightening wrench

11. VERTIFLEX STANDARD, ABDUCTION AND MOBILE – USER TRANSFERT PROCEDURES

These procedures apply to VERTIFLEX Standard and VERTIFLEX Abduction models in sizes 1, 2, and 3, as well as VERTIFLEX Mobile models in sizes 2 and 3.

11.1 SAFETY INSTRUCTIONS

Before transferring the user into or out of the product, carefully read and follow these instructions:

- Ensure the device is placed on a smooth, level, and even surface.
- Make sure all wheels are securely locked.
- NEVER leave the user unattended while getting in or out of the product.
- User transfers must be performed by a healthcare professional or a trained caregiver.
- Transfer techniques may vary depending on the individual and should be adapted to the user’s specific medical condition.

11.2 TRANSFER PROCEDURES

11.2.1 VERTIFLEX – PRONE POSITION (Fig. 11.2.1)

1. Position the VERTIFLEX in an upright (vertical) position.
2. Ensure all wheels are securely locked, including the large wheels if using a VERTIFLEX Mobile.
3. Make sure all lateral supports (chest, hips, knees) are clear.
4. The user can now enter the VERTIFLEX independently. To assist the transfer, the user may hold onto the back of the chest lateral (B).
5. Adjust and fasten the straps in the following order:
 - 1) Hip lateral strap (A)
 - 2) Chest lateral strap (B)
 - 3) Knee lateral straps (C)

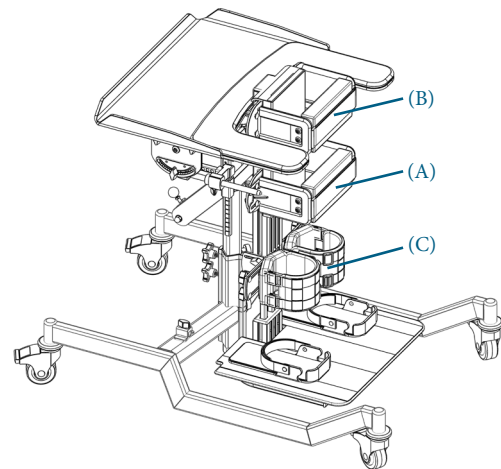


Fig. 11.2.1 - VERTIFLEX Standard Prone shown

11.2.2 VERTIFLEX – SUPINE POSITION (Fig. 11.2.2)

1. Remove the table.
2. Position the VERTIFLEX in a horizontal position.
3. Ensure all wheels are securely locked, including the large wheels if using a VERTIFLEX Mobile.
4. Make sure all lateral supports (chest, hips, knees) are clear.
5. Carefully transfer the user into the equipment.
6. Adjust and fasten the straps in the following order:
 - 1) Hip lateral strap (A)
 - 2) Chest lateral strap (B)
 - 3) Knee lateral straps (C)
7. Return the VERTIFLEX to the vertical position.
8. Install and adjust the table.

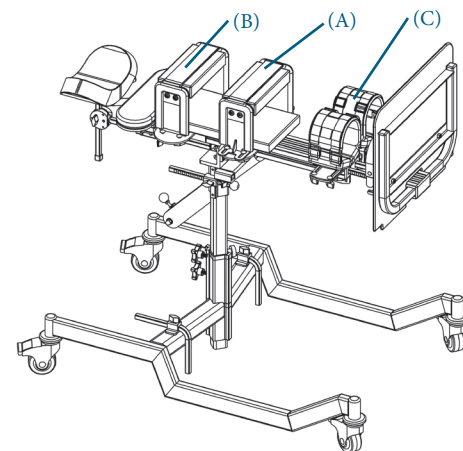


Fig. 11.2.2 - VERTIFLEX Standard Supine shown

12. VERTIFLEX STANDARD, ABDUCTION AND MOBILE – COMMON ADJUSTMENTS

These procedures apply to VERTIFLEX Standard and VERTIFLEX Abduction models in sizes 1, 2, and 3, as well as VERTIFLEX Mobile models in sizes 2 and 3. For any other adjustments not covered in this section for the Mobile version, refer to Section 14: VERTIFLEX Mobile – Common Adjustments.

Unless otherwise specified, illustrations in this section show the VERTIFLEX Standard in supine position.

12.1 ADJUSTMENT PROCEDURES (Fig. 12.1)

Periodically check all device adjustments and ensure they are still appropriate for the user's current body dimensions. If necessary, have a qualified technician or therapist make the adjustments.

NOTE : If you have difficulty reaching or firmly tightening a locking knob (A) for an adjustment, use the provided tightening wrench (B).

12.2 TILT ADJUSTMENT (Fig. 12.2)

When adjusting the tilt of the standing frame, ensure that:

- All wheels are securely locked.
- No part of the user's or caregiver's body can get pinched during the tilt adjustment.
- All straps and other fasteners are properly in place and adjusted to the user to ensure safety.
- The device is at a safe distance from surrounding furniture to avoid collisions.

Tilting the frame

To tilt the frame (A), push and hold the gas cylinder activation lever (B) with one hand or pull on the activation strap (C); the tilt will occur automatically. Release the lever (B) once the desired frame (A) tilt is reached.

Returning the frame to vertical

To return the frame to a vertical position, push and hold the gas cylinder activation lever (B) with one hand or pull on the activation strap (C), then firmly push the frame (A) upright. Release the lever (B) once the frame (A) is in the vertical position.

12.3 WHEEL LOCKING (Fig. 12.3)

Each of the four wheels has a brake (A). Ensure that the brakes on all four wheels (B) are fully engaged whenever the standing frame is in use, being adjusted, or stored.

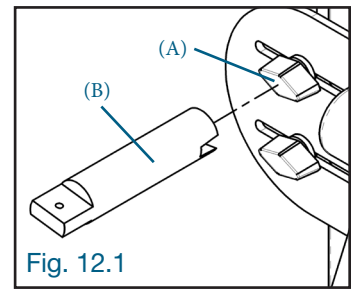


Fig. 12.1

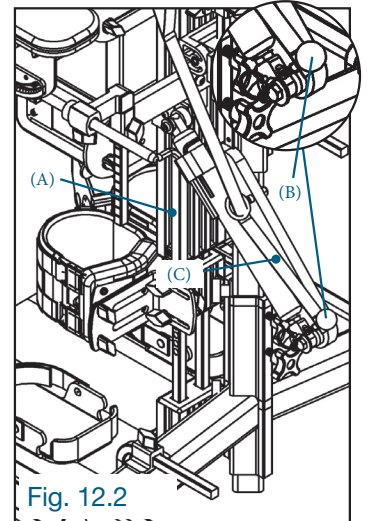


Fig. 12.2

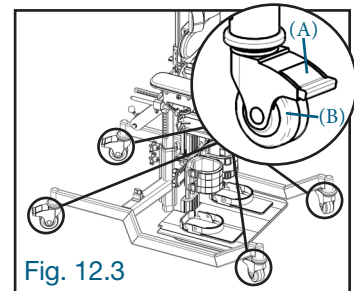
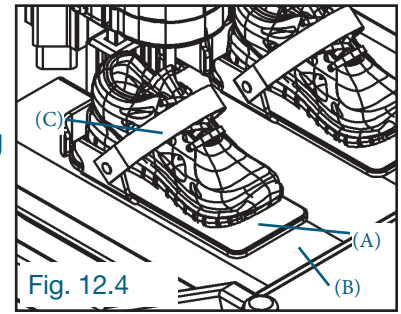


Fig. 12.3

12. VERTIFLEX STANDARD, ABDUCTION AND MOBILE – COMMON ADJUSTMENTS (continued)

12.4 FOOT SUPPORT ADJUSTMENT (Fig. 12.4)

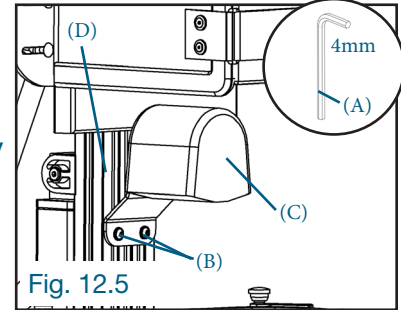
The foot supports (A) are secured with hook-and-loop straps (B), allowing them to be positioned optimally for the user. Once in position, detach the hook-and-loop strap (C) and slide the foot into the foot support (A). Secure the foot using the hook-and-loop strap (C) by folding it over the top of the foot near the ankle.



12.5 ABDUCTION HANDLE ADJUSTMENT

Height Adjustment (Fig. 12.5)

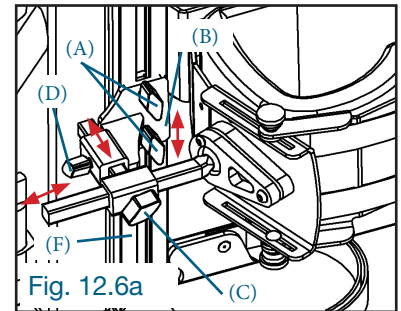
Using the Allen key (A), loosen the two tightening screws (B). Slide the abduction handle (C) along the frame (D) to the desired height, then firmly tighten the tightening screws (B).



12.6 MULTI-AXIS KNEE LATERAL ADJUSTMENT

Height Adjustment (Fig. 12.6a)

Loosen the two locking knobs (A). Slide the knee lateral support (B) along the frame (F) to the desired height, then tighten the locking knobs (A).

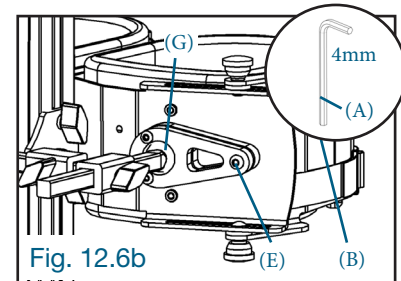


Depth Adjustment (Fig. 12.6a)

Loosen the locking knob (C) located on the crossbar of the knee lateral support (B). Slide to the required depth, then firmly tighten the locking knob (C).

Width Adjustment (Fig. 12.6a)

Loosen the locking knob (D) located on the side of the knee lateral support (B). Slide to the required width, then firmly tighten the locking knob (D).

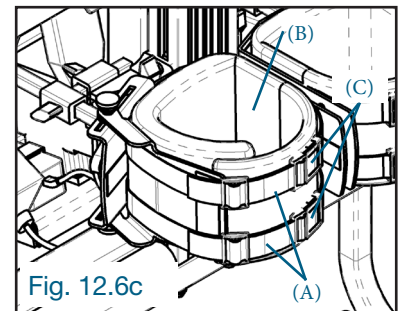


Tilt Adjustment (Fig. 12.6b)

Using the Allen key (A), loosen the tightening screw (E). Rotate the knee lateral (B) around its pivot (G) to the desired tilt, then firmly tighten the tightening screw (E).

Strap Adjustment (Fig. 12.6c)

The straps (A) of the knee laterals (B) must be adjusted snugly around the user to hold them securely in place. Adjust the strap length (A) by sliding them through the loops (C) to the required length. Once adjusted, securely fasten the loops (C).

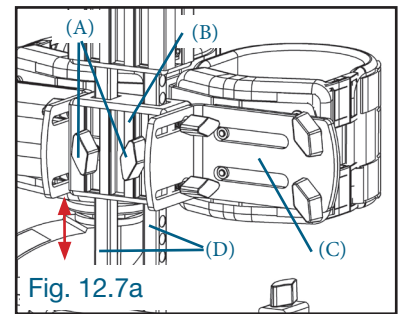


12. VERTIFLEX STANDARD, ABDUCTION AND MOBILE – COMMON ADJUSTMENTS (continued)

12.7 STANDARD KNEE LATERAL ADJUSTMENT

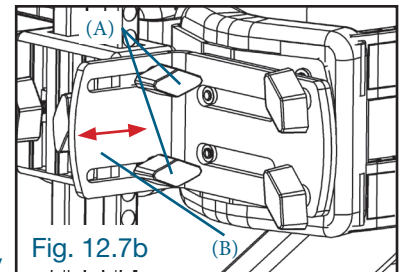
Height Adjustment (Fig. 12.7a)

Loosen the two locking knobs (A). Slide the knee anchor block (B) or knee lateral support (C) along the rods (D) to the desired height, then tighten the locking knobs (A).



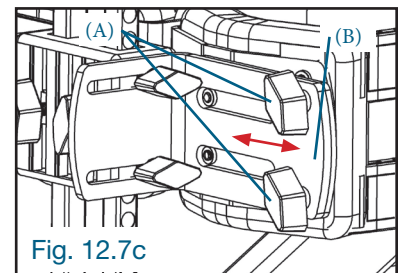
Depth Adjustment (Fig. 12.7b)

Loosen the two locking knobs (A) on the knee lateral support (B). Slide the support forward or backward to the desired position, then firmly tighten the locking knobs (A).



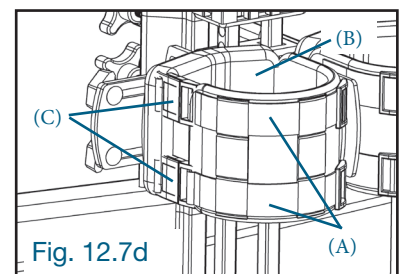
Width Adjustment (Fig. 12.7c)

Loosen the two locking knobs (A) located on the back of the knee lateral support (B). Slide the support left or right to the desired width, then firmly tighten the locking knobs (A).



Strap Adjustment (Fig. 12.7d)

Adjust the straps (A) of the knee laterals (B) snugly around the user to hold them securely in place. Slide the straps (A) through the loops (C) to achieve the required length, then securely fasten the loops (C).

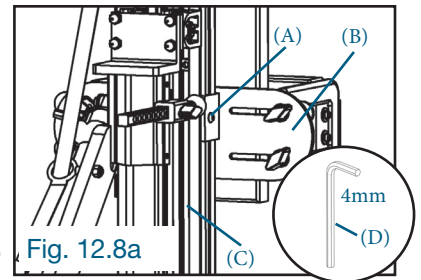


12. VERTIFLEX STANDARD, ABDUCTION AND MOBILE – COMMON ADJUSTMENTS (continued)

12.8 HIP LATERAL ADJUSTMENT – STANDARD MODEL

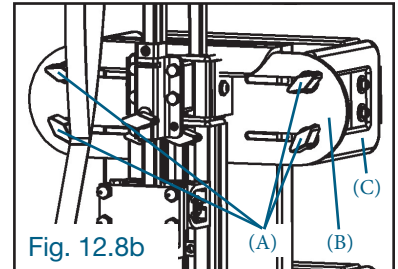
Height Adjustment (Fig. 12.8a)

Using the Allen key (D), slightly loosen the tightening screws (A) on each side of the frame (C) at the back of the hip lateral (B). Adjust the hip lateral (B) to the desired height along the frame (C), then firmly tighten the tightening screws (A). Repeat for the other hip lateral.



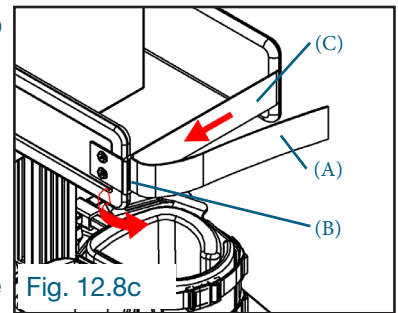
Width Adjustment (Fig. 12.8b)

Slightly loosen the four locking knobs (A) on the back of the hip lateral (B). Slide and adjust the laterals (C) to fit the user's hips. Once properly positioned, firmly tighten the locking knobs (A).



Strap Adjustment (Fig. 12.8c)

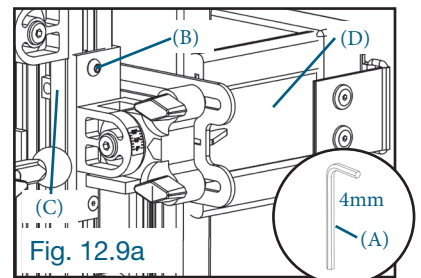
Insert the strap (A) through the metal loop (B), fold the strap (A) back onto itself, and secure it with the hook-and-loop fastener (C).



12.9 HIP LATERAL ADJUSTMENT – ABDUCTION MODEL

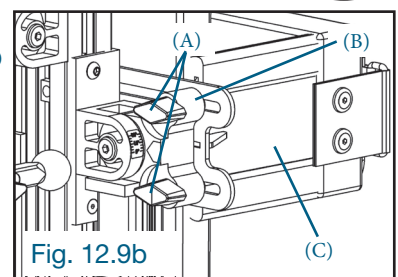
Height Adjustment (Fig. 12.9a)

Using the Allen wrench (A), slightly loosen the tightening screw (B) on each side of the frame (C) at the back of the hip lateral (D). Adjust the hip lateral (D) to the desired height along the frame (C), then firmly tighten the tightening screw (B). Repeat for the other hip lateral.



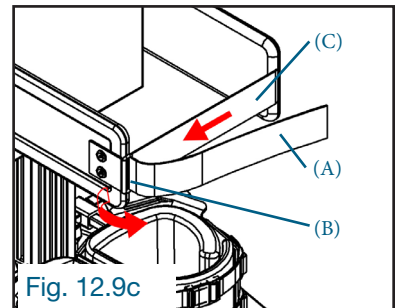
Width Adjustment (Fig. 12.9b)

Slightly loosen the two locking knobs (A) on the back of the hip lateral support (B). Slide and adjust the laterals (C) to fit the user's hips. Once properly positioned, firmly tighten the locking knobs (A). Repeat on the other hip lateral.



Strap Adjustment (Fig. 12.9c)

Insert the strap (A) through the metal loop (B), fold the strap (A) back onto itself, and secure it with the hook-and-loop fastener (C).

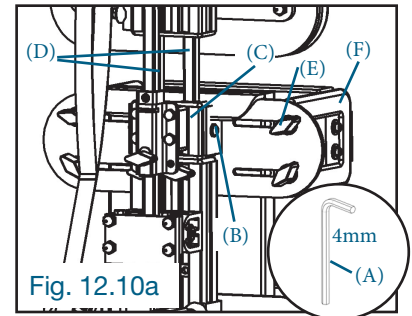


12. VERTIFLEX STANDARD, ABDUCTION AND MOBILE – COMMON ADJUSTMENTS (continued)

12.10 THORACIC LATERAL ADJUSTMENT

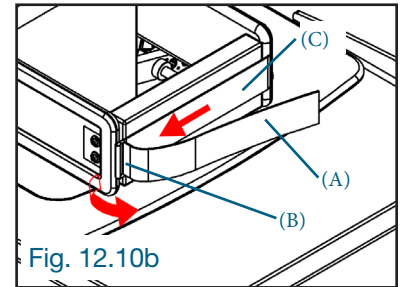
Height Adjustment (Fig. 12.10a)

Using the Allen key (A), slightly loosen the two tightening screws (B) on each side of the thoracic lateral block (C). Slide the thoracic lateral block (C) along the rods (D) to the desired height, then firmly tighten the tightening screws (B). It is recommended to adjust the thoracic lateral height after setting the shoulder support height (Section 12.11).



Width Adjustment (Fig. 12.10a)

Loosen the four locking knobs (E) on the back of the thoracic lateral. Slide and adjust the laterals (F) to fit the user's torso width. Once positioned, firmly tighten the four locking knobs (E).



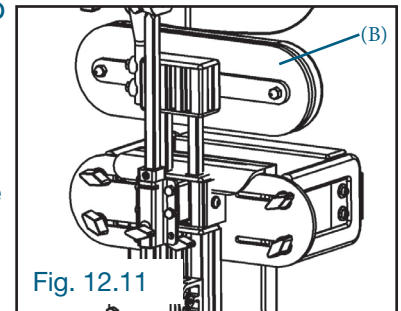
Strap Adjustment (Fig. 12.10b)

Insert the strap (A) through the metal loop (B), fold the strap (A) back onto itself, and secure with the hook-and-loop fastener (C).

12.11 SHOULDER SUPPORT ADJUSTMENT

Height Adjustment (Fig. 12.11)

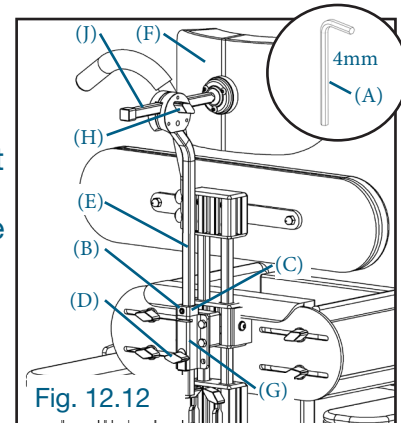
Loosen the two tightening knobs (A), slide the shoulder support (B) to the desired height, then tighten the tightening knobs. It is recommended to adjust the shoulder support height before adjusting the thoracic lateral height (Section 12.10).



12.12 HEADREST ADJUSTMENT

Height Adjustment (Fig. 12.12)

Using the Allen key (A), slightly loosen the tightening screw (B) on the stop ring (C). Also, slightly loosen the locking knob (D). Slide the headrest rod (E) to the desired position, then firmly tighten the locking knob (D). Position the stop ring (C) against the headrest support (G) and tighten the tightening screw (B) on the stop ring (C).



Depth Adjustment (Fig. 12.12)

Slightly loosen the tightening knob (H), then slide the rod (J) forward or backward. Once the headrest (F) is positioned, tighten the tightening knob (H).

Tilt Adjustment (Fig. 12.13)

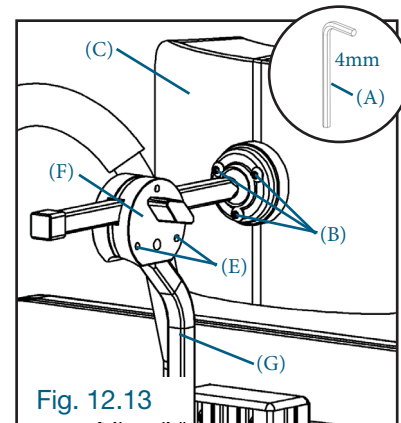
This adjustment can be done in two ways:

Adjustment 1

Using a 1/8" Allen key (not provided), slightly loosen the three tightening screws (B), and pivot the headrest (C) to the desired angle. Once positioned, tighten the tightening screws (B).

Adjustment 2

Using the Allen key (A), slightly loosen the two tightening screws (E), pivot the junction (F) of the headrest support (G) to the desired angle. Once positioned, tighten the tightening screws (E).

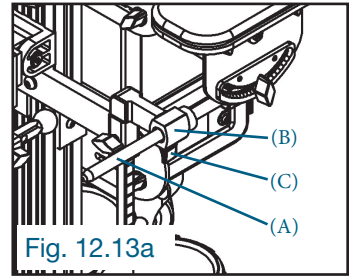


12. VERTIFLEX STANDARD, ABDUCTION AND MOBILE – COMMON ADJUSTMENTS (continued)

12.13 TABLE ADJUSTMENT

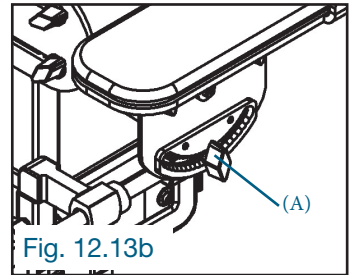
Installation (Fig. 12.13a)

Insert the two table rods (A) into the round slides (B) located above the hips. Slightly lift the front of the table to slide it easily, then release it at the desired position. Tighten the locking knob (C) above the round slide (B) to secure the table.



Tilt Adjustment (Fig. 12.13b and 12.13c)

Loosen the locking knob (A) on each side of the table. Tilt the table to the desired angle, then firmly tighten the locking knobs (A).

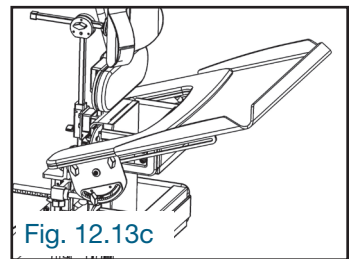


Forward or Backward Adjustment

This adjustment can be done in two ways:

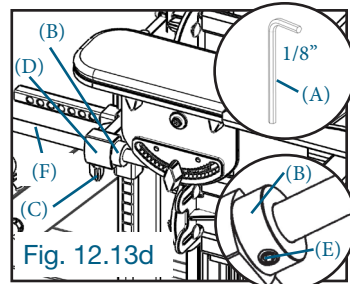
Adjustment 1 (Fig. 12.13d)

Using a 1/8" Allen key (A, not provided), slightly loosen the tightening screw (E) under the positioning ring (B). Loosen the two locking knobs (C) on each side of the table. Slide the table rods (F) forward or backward to the desired position, then firmly tighten the two locking knobs (C). Replace the positioning ring (B) at the desired position and tighten the tightening screw (E) underneath. The positioning ring (B) serves to maintain the ideal position for the user. It is generally placed close to the L-shaped support bar (D).



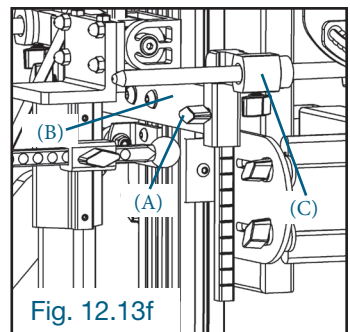
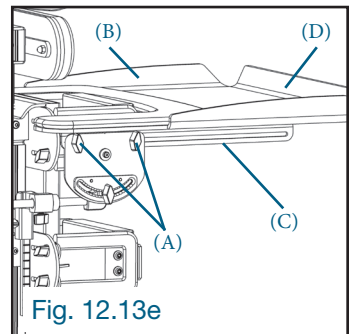
Adjustment 2 (Fig. 12.13e)

Slightly loosen the two tightening knobs (A) on each side of the table (B). Slide the table (D) along the rail (C) forward or backward to the desired position. Once positioned, firmly tighten the two tightening knobs (A).



Height Adjustment (Fig. 12.13f)

Slightly loosen the two tightening knobs (A) on the support bar (B). Adjust the two L-shaped bars (C) on each side of the table to the desired height, then firmly tighten the tightening knobs (A).



12. VERTIFLEX STANDARD, ABDUCTION AND MOBILE – COMMON ADJUSTMENTS (continued)

12.14 FOOTREST ADJUSTMENT – STANDARD AND MOBILE MODELS Height Adjustment (Fig. 12.14)

Using the Allen key (A), slightly loosen the two tightening screws (B) on each side of the frame (C). Slide the footrest rods (D) up or down to the desired position. Ensure the tightening screws (B) align with an indexed hole on the footrest rod (D), then firmly retighten the two tightening screws (B).

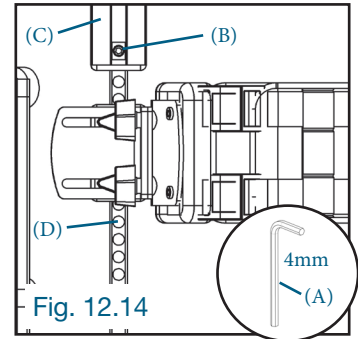


Fig. 12.14

12.15 FOOTREST ADJUSTMENT – ABDUCTION MODEL Height Adjustment of the footplate (Fig. 12.15a)

Slightly loosen the two tightening knobs (A) at the back of the leg (B) and slide the rod (C) up or down to the desired height. Firmly tighten the two tightening knobs (A).

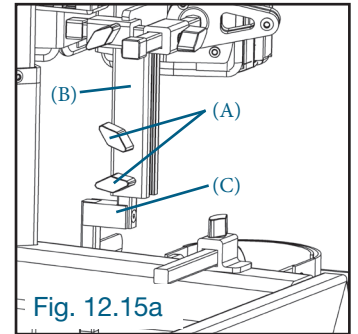


Fig. 12.15a

Width Adjustment of the footplate (Fig. 12.15b)

Completely loosen the locking nut (B). Using the Allen key (A), slightly loosen the tightening screw (C) under the footplate (D) and slide the block (E) along the rod (F) to the desired position. Firmly tighten the tightening screw (C) and fully retighten the locking nut (B) for optimal safety.

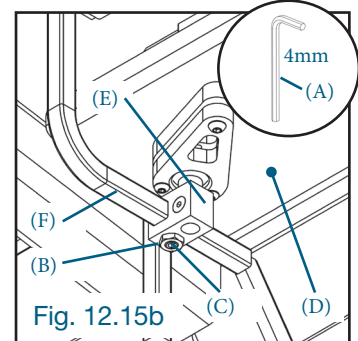


Fig. 12.15b

Tilt Adjustment of the footplate (Fig. 12.15c)

Using the Allen key (A), slightly loosen the tightening screw (B) and pivot the footplate (C) on its pivot (D) to the desired tilt, then firmly tighten the tightening screw (B).

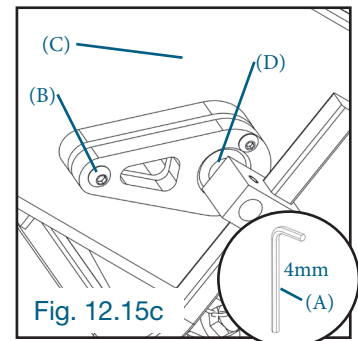


Fig. 12.15c

12.16 LEG ABDUCTION ADJUSTMENT Abduction Angle Adjustment (Fig. 12.16a)

Using the Allen key (A), slightly loosen the two tightening screws (B) at the back of the leg (C) and pivot the leg (C) up or down to the desired abduction. Firmly tighten the two tightening screws (B).

Use the angle indicator (D) on the back of the hip lateral (E) by aligning the red arrow (F) with the desired degree on the angle indicator (D). (Fig. 12.16b)

12.17 FRAME HEIGHT ADJUSTMENT ON THE BASE (Fig. 12.17)

IMPORTANT : This adjustment applies if the footrest interferes with the floor by adjusting its height.

Slightly loosen the two tightening knobs (A), lift and completely remove the frame (B) from the base (C). Unscrew and completely remove the bolt (D) from the lock ring (E). Slide the lock ring (E) onto the tube (F), aligning the hole (G) of the lock ring (E) with the desired hole (H) on the tube (F). Screw the bolt (D) back into the tube (F). Insert the frame (B) onto the base (C) and firmly retighten the two tightening knobs (A).

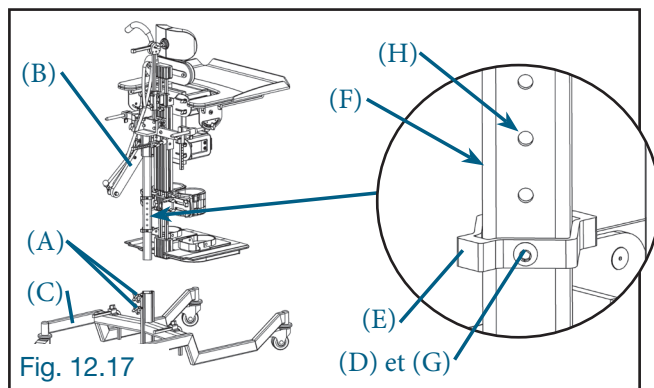


Fig. 12.17

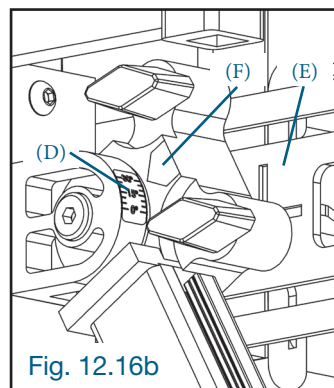


Fig. 12.16b

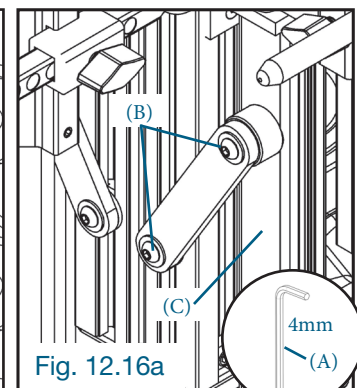


Fig. 12.16a

13. VERTIFLEX MOBILE – OPERATION AND MANEUVERING

Read this guide carefully in its entirety before using or maintaining the VERTIFLEX Mobile standing frame. If you have any questions or difficulty understanding the instructions in this guide, please contact your qualified technician. You can also send an email or communicate with a Synetik technician (contact details are on page 3 of this manual).

The VERTIFLEX Mobile standing frame is designed to accommodate all body types. Modular and customizable with various accessories, this standing frame can be adjusted for optimal comfort and efficiency. It is also designed to promote mobility; manually propelled, it allows the user to move independently or with assistance, indoors and outdoors. Available in 2 sizes, the VERTIFLEX Mobile is a model without leg abduction and is offered in a hybrid configuration. It comes fully assembled and customized according to each child's unique positioning needs. Three (3) wheel sizes are available. The gas cylinder allows full tilt from a lying position to a vertical position, facilitating and securing transfers. The standing station provides numerous physiological benefits, including improved blood circulation, enhanced digestion, and stimulation of muscle development, contributing to the user's mental and emotional well-being.

13.1 SAFETY INSTRUCTIONS

- Whether using the VERTIFLEX Mobile standing frame for the first time or for many years, the user **MUST** take the time to become familiar with it before moving. They should start slowly and take the time to learn the features of the VERTIFLEX Mobile that will allow them to propel, handle, and maneuver it safely.
- Special attention must be given to body parts near moving parts of the VERTIFLEX Mobile, such as the lateral wheels. Hands must stay clear of the lateral wheels, near the push rims during propulsion.
- The lateral wheel brakes should only be engaged when the VERTIFLEX Mobile standing frame is completely stationary.
- Any adjustment of the VERTIFLEX Mobile (such as footrest height, frame tilt, dimensions and position of the lateral wheels, etc.) could affect the center of gravity. These adjustments should be performed by experienced professionals, and the user should be informed that the stability of the mobile device may be affected by these changes.
- Before using the VERTIFLEX Mobile standing frame, we recommend that the user be trained by a therapist for safe operation of this mobile device.
- The therapist must carefully read the instructions in this manual to explain them properly to the user. The user must be comfortable with the VERTIFLEX Mobile before using it without assistance.
- The user must always be aware of environmental hazards.
- The VERTIFLEX Mobile standing frame is designed to be used on firm, flat surfaces such as asphalt, concrete, and indoor surfaces like carpet or wood.
- Note that the driving and performance of this mobile device are greatly affected by conditions such as sand, mud, rain, unstable surfaces, and steep terrain. If the mobile device is used in such conditions, frequent inspections and a shorter maintenance interval should be performed.
- The user must take additional precautions when using the mobile device on wet or slippery surfaces. Prolonged contact with water or excessive moisture may damage the VERTIFLEX Mobile standing frame. Some accessories of this mobile device may be affected by corrosion.

13. VERTIFLEX MOBILE – OPERATION AND MANEUVERING (continued)

13.2 WARNING

- Do not use under the influence of alcohol, medication, or drugs. This could impair the user's ability to operate the VERTIFLEX Mobile correctly. Consult a physician for possible medication effects.
- The VERTIFLEX Mobile is not designed for individuals with visual impairments.
- The user must be mentally and physically capable of operating this mobile device.
- NEVER leave anyone in the VERTIFLEX Mobile inside a moving vehicle.
- DO NOT tilt the VERTIFLEX Mobile or perform wheelies without assistance.
- DO NOT use the VERTIFLEX Mobile without being properly secured with the straps.
- DO NOT transfer the user into a VERTIFLEX Mobile unless the casters and large lateral wheels are completely locked.
- DO NOT use the VERTIFLEX Mobile on streets, roads, or highways.
- DO NOT leave the VERTIFLEX Mobile in humid environments such as the bathroom or use it while showering.
- DO NOT use the VERTIFLEX Mobile to go up or down access ramps.
- DO NOT use the VERTIFLEX Mobile on stairs.
- DO NOT climb over or go across objects on the floor. You must go around them.
- ALWAYS remove the table when the user moves with the VERTIFLEX Mobile. Otherwise, the user may risk injury or pinching fingers or hands between the table and the lateral wheels.

13.3 OPERATING THE VERTIFLEX MOBILE

Ignoring these warnings may result in the user falling, tipping over, or losing control of the mobile device, causing serious injury to themselves or others, or damaging the VERTIFLEX Mobile.

1. First, the user must learn the features of the VERTIFLEX Mobile under the supervision of their therapist.
2. The user must be aware of any new driving characteristics after any modification or adjustment of the VERTIFLEX Mobile.
3. CONSULT a physician, nurse, or therapist regarding the position of the wheel brakes and lateral wheels, as well as other configuration options of the mobile device suitable for the user.
4. CONSULT an authorized Synetik dealer BEFORE modifying or adjusting the mobile device. Often, one desired adjustment can be offset by another that is not obvious. The authorized Synetik dealer can provide professional, personalized guidance.
5. The user must ALWAYS be assisted by another person until they have mastered operating the VERTIFLEX Mobile and can operate it safely under all conditions.
6. ALWAYS remove the table before moving the VERTIFLEX Mobile.
7. The user must maintain a hold on the push rims to control speed.

13.4 REACHING FOR A NEARBY OBJECT

1. The user may use a tool to retrieve an object to extend their reach or ask for assistance from another person.
2. The user MUST NOT attempt to reach an object behind them. They should only reach for objects within arm's reach without moving in the VERTIFLEX Mobile.
3. The user must position the mobile device as close as possible to the object to be reached.
4. Before reaching for a nearby object, the user must apply the lateral wheel locks to stabilize the mobile device.

13. VERTIFLEX MOBILE – OPERATION AND MANEUVERING (continued)

13.5 BACKWARD MOVEMENT

The user must move slowly, as the VERTIFLEX Mobile is designed to be more stable when moving forward. They should pay close attention to their surroundings as often as possible to avoid obstacles in their path.

13.6 OBSTACLES, CURBS, AND STEPS

WARNING

- The user must always keep their eyes open to spot obstacles such as potholes and damaged surfaces.
- Arrange the environment at home and/or at school so that it is flat and free of obstacles.
- Never use objects (furniture, railings, handles) to propel the mobile device.
- The user must keep their hands on the push rims when passing over an obstacle, if needed.
- Curbs and steps are extremely dangerous obstacles.
- The user MUST NEVER attempt to go up or down a curb or step.
- The user must be aware that descending a curb or step can damage the mobile device or loosen the screws of certain components.
- If the user accidentally descends a curb or step, the mobile device must be inspected to ensure it is intact and safe to use.

13.7 LATERAL WHEEL LOCKING

WARNING

- DO NOT use the lateral wheel locks to slow down or brake the VERTIFLEX Mobile while moving. THE LATERAL WHEEL LOCKS ARE NOT BRAKES.
- Ensure the surface is not slippery, as the mobile device could still move even with the lateral wheels locked.
- Make sure the rods of the locks are inserted at least 3 mm (1/8") into the tire once engaged and that the tire is properly inflated.
- Ensure the mobile device is stable and completely immobilized before engaging the lateral wheel locks.

13.7.1 ENGAGING THE LATERAL WHEEL LOCKS (Fig. 13.7)

Pull the handle (A) upward on the mobile device until the handle reaches the end of its movement.

13.7.2 RELEASING THE LATERAL WHEEL LOCKS (Fig. 13.7)

Push the handle (A) downward on the mobile device until it is fully disengaged and the mobile device can move.

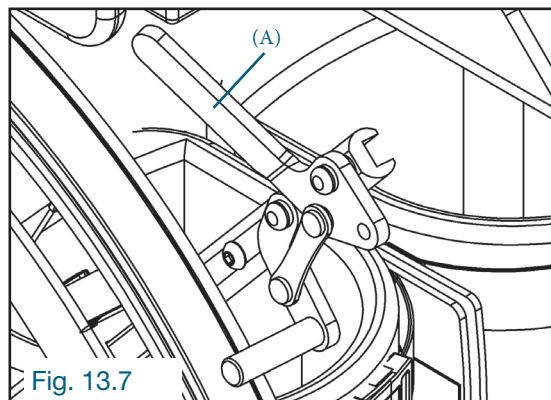


Fig. 13.7

14. VERTIFLEX MOBILE – COMMON ADJUSTMENTS

The following procedures and adjustments apply only to sizes 2 and 3 of the VERTIFLEX Mobile. Unless otherwise specified, illustrations in this section show the VERTIFLEX Mobile in supine position.

For all other adjustments not covered in this section, refer to Section 12: VERTIFLEX Standard, Abduction, and Mobile – Common Adjustments.

14.1 LATERAL WHEEL LOCK ADJUSTMENT

IMPORTANT : Always ensure that the rod (A) of the lateral wheel lock (B) compresses the tire by approximately 3 mm (1/8”) at all times. (Fig. 14.1)

Adjusting the tension on the lateral wheel (Fig. 14.1a)
Ensure the lock is in the locked position on the wheel.
Loosen the tightening knob (A) on the lock arm (B) and gently press the end of the arm (C) toward the wheel so that the rod (D) of the lock compresses the tire by approximately 3 mm (1/8”). Firmly retighten the tightening knob (A). Test the lock to ensure proper operation of the lateral wheel lock. If the test is not satisfactory, repeat these steps to readjust the lock.

Adjusting the position of the lateral wheel lock (Fig. 14.1b)
Using the Allen key (A), slightly loosen the tightening screw (B) and pivot the arm (C) around the wheel, forward or backward, to the desired position. Firmly retighten the tightening screw (B). Ensure the tightening screw (B) is properly aligned with a pre-drilled hole (D) before tightening.

Reversing the lateral wheel locks
Slightly loosen the tightening screw (A) and pivot the arm (B) toward the back of the device to the desired position. Firmly retighten the tightening screw (A). Ensure the tightening screw (A) is properly aligned with a pre-drilled hole (C) before tightening. Repeat these steps for the lock on the other side. (Fig. 14.1b)

Slightly loosen the tightening knob (C) and completely remove the square rod (D) from the lock. Repeat this step for the lock on the other side. (Fig. 14.1c)
Swap the positions of the two lateral wheel locks (E) and then firmly retighten the two tightening knobs (C). (Fig. 14.1d)

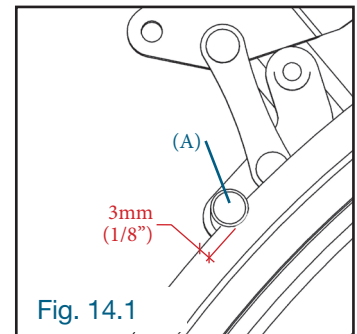


Fig. 14.1

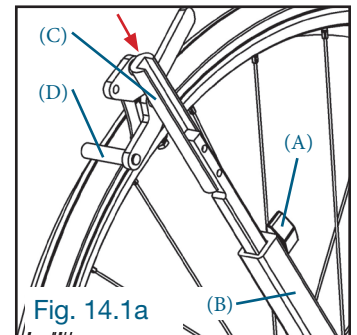


Fig. 14.1a

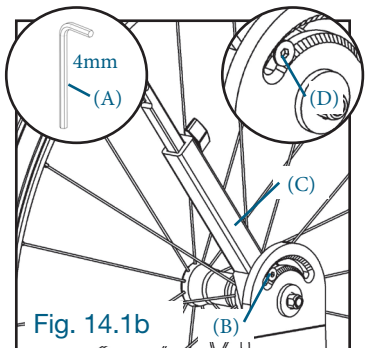


Fig. 14.1b

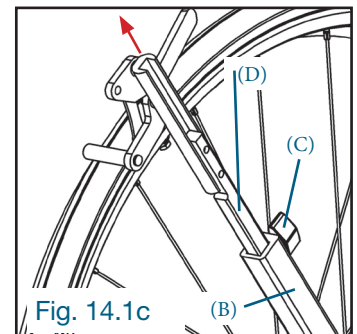


Fig. 14.1c

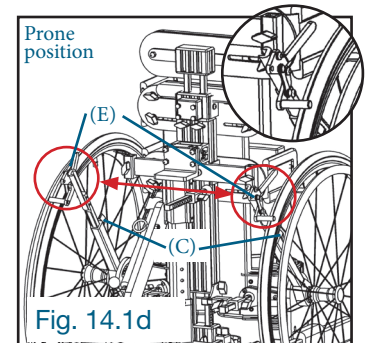


Fig. 14.1d

14. VERTIFLEX MOBILE – COMMON ADJUSTMENTS (continued)

14.2 ADJUSTMENT OF THE LATERAL WHEELS

Three sizes of lateral wheels are available for the VERTIFLEX Mobile:

- 24”;
- 26”;
- 32”.

WARNING

- All quick-release axles are designed to facilitate the removal of lateral wheels. However, improper use of the quick-release can be dangerous.
- NEVER use your Mobile unless you are certain that both axes are perfectly secured in the receiving axis. If a lateral wheel axle is not fully engaged, the lateral wheel could fall off the Mobile during use, causing a fall. You can verify that the axle is in place and properly engaged when the button at the center of the axle is perfectly aligned with the hub and not pushed inside it. It is recommended to pull on the lateral wheel to ensure it is fully seated in the receiving axis.

Removing the lateral wheel (Fig. 14.2a)

Disengage the lateral wheel lock (A). Press the central button (B) of the quick-release axle and pull the wheel (C) outward.

Installing the lateral wheel (Fig. 14.2b)

Press the central button (B) of the quick-release axle, slide the axle (C) into the hub (D) until fully seated, then release the central button (B).

IMPORTANT: (Fig. 14.2c) For secure engagement, the detent balls (E) of the axle should protrude outside the receiving axis, and the internal rod should be level with the end of the axle.

Forward or backward adjustment (Fig. 14.2d)

Slightly loosen the four bolts (A) and slide the support (B) along the base tube (C) forward or backward to the desired position. Once in place, perform a preliminary light tightening of the four bolts (A) diagonally, then fully tighten.

IMPORTANT: Verify that both lateral wheels are mounted symmetrically on the base and precisely aligned with each other.

Height adjustment (Fig. 14.2e)

Slightly loosen the four bolts (A) and slide the support plate (B) along the support (C) upward or downward to the desired height. Once in place, perform a preliminary light tightening of the four bolts (A) diagonally, then fully tighten. Ensure the bolts (A) are properly seated in the pre-drilled holes (D) before tightening.

IMPORTANT: To ensure proper stability on the ground and smooth rolling, the VERTIFLEX Mobile must rest on four contact points: the two lateral wheels and two castor wheels, either at the front or rear of the base.

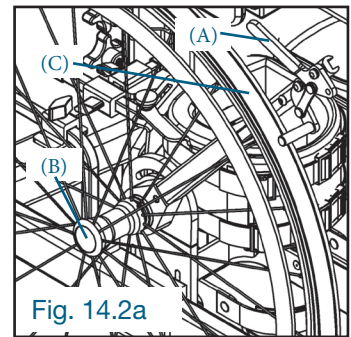


Fig. 14.2a

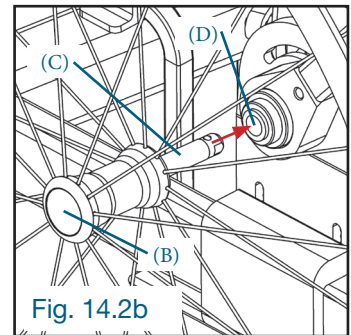


Fig. 14.2b

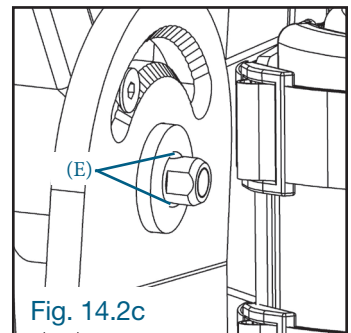


Fig. 14.2c

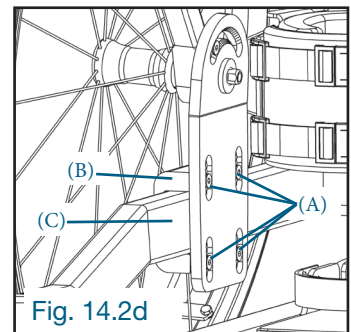


Fig. 14.2d

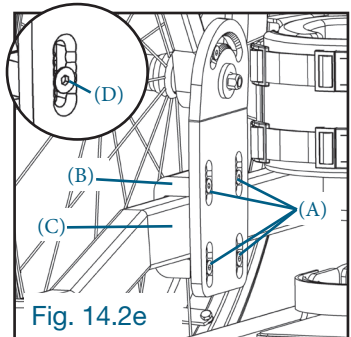


Fig. 14.2e

14. VERTIFLEX MOBILE – COMMON ADJUSTMENTS (continued)

14.3 TIRE PRESSURE

WARNING

- Measure the tire pressure using a pressure gauge.
- Check the recommended tire pressure indicated on the sidewalls.
- Inflate the tires only if the pressure is below the value indicated on the sidewalls.
- Do not inflate the tires above the recommended pressure.
- Overinflating a tire can cause an explosion and bodily injury.
- An underinflated tire can cause a flat tire.

	Maximum tire pressure
Size 24"	110 psi
Size 26"	115 psi
Size 32"	None (solid tire, no air)

14.4 TABLE ADJUSTMENT

IMPORTANT: If you want to use the VERTIFLEX mobile without the table, completely remove or reverse the two L-shaped bars (A) on each side of the table so that the “L” faces inward toward the VERTIFLEX mobile. (Fig. 14.4)

Installation (Fig. 14.4a)

Insert the two table rods (A) into the round slides (B) located above the hips. Slightly lift the front of the table to slide it in easily, then release it at the desired position. Tighten the locking knob (C) above the round slide (B) to secure the table.

Forward or Backward Adjustment

This adjustment can be done in two ways:

Adjustment 1 (Fig. 14.4b)

Using a 1/8" Allen key (A, not provided), slightly loosen the tightening screw (E) under the positioning ring (B). Loosen the two locking knobs (C) on each side of the table. Slide the table rods (F) forward or backward to the desired position, then tighten the two locking knobs (C). Replace the positioning ring (B) at the desired position and tighten the tightening screw (E) underneath. The positioning ring (B) maintains the ideal position for the user and is generally placed near the L-shaped support bar (D).

Adjustment 2 (Fig. 14.4c)

Slightly loosen the two tightening knobs (A) on each side of the table (B). Slide the table (D) along the rail (C) forward or backward to the desired position. Once positioned, firmly tighten the two tightening knobs (A).

Height Adjustment (Fig. 14.4d)

Slightly loosen the two tightening knobs (A) on the support bar (B). Adjust the two L-shaped bars (C) on each side of the table to the desired height, then firmly tighten the tightening knobs (A).

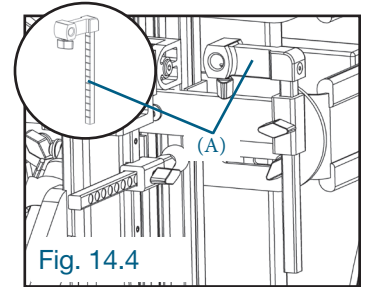


Fig. 14.4

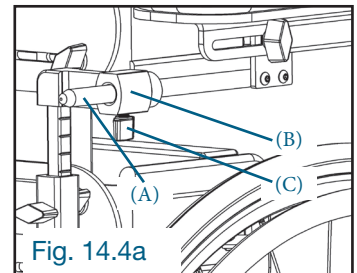


Fig. 14.4a

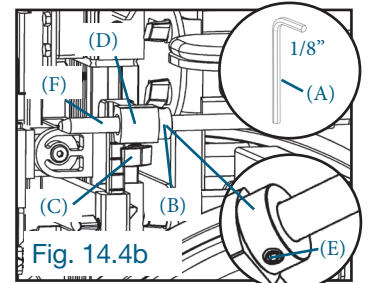


Fig. 14.4b

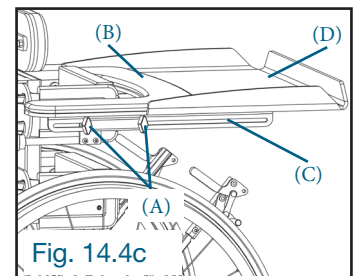


Fig. 14.4c

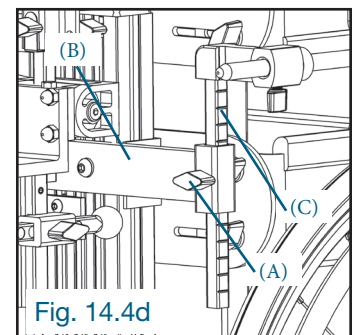


Fig. 14.4d

15. CLEANING AND MAINTENANCE

15.1 CLEANING

When cleaning the product, we recommend using only warm water and a non-abrasive detergent. Never use organic solvents, bleach, or dry-cleaning liquids.

15.2 UPHOLSTERY AND FABRICS

- It is normal for the fabric to fade after prolonged exposure to sunlight and frequent washing. It may also show signs of wear after long-term use, even under normal conditions.
- The upholstery and fabrics can be cleaned in place by hand. When cleaning, we recommend using only warm water and a non-abrasive detergent.
- The preferred cleaning method is the “wipe and dry” technique.
- Stains should be removed as quickly as possible using an absorbent cloth, towel, or sponge. Mild soap and a sponge with warm water are effective for ordinary dirt and minor spills. Avoid over-wetting the fabric, as this can cause the stain to spread.
- Antiseptic cleaning agents may be used for more stubborn stains. These may require a solvent such as isopropyl alcohol or mineral spirits.
- Always ensure the product is dry before use.
- Padded components such as thoracic laterals, hip laterals, and knee laterals have removable fabric covers that can be machine washed and air-dried.
- To keep hook-and-loop fasteners functional, clean them occasionally with a brush. When washing components with hook-and-loop fasteners, always close the fasteners or cover them.

15.3 METAL AND PLASTIC COMPONENTS

- Soap and water or an antibacterial spray may be used for daily cleaning.
- For deep cleaning, low-pressure steam cleaning can be used.
- Do not use solvents to clean plastic, wood, or metal components.
- Ensure the product is dry before use.

16. DAILY INSPECTION

Synetik Group Inc. recommends that a daily visual inspection be performed before each use by a therapist, parent, or caregiver to ensure the safe operation of the device. During each visual inspection, you should check and confirm that:

- There are no breaks, tears, or missing parts. If in doubt, stop using the device immediately and contact the Customer Service Department.
- All protective coverings (covers) and straps show no signs of wear or damage.
- Strap buckles attach properly and are not damaged.
- The wheels rotate, swivel freely, and lock securely.
- The footplate is firmly attached to the frame.
- All locking knobs are in place and properly tightened.

17. ANNUAL INSPECTION, MAINTENANCE AND REPLACEMENT PARTS

17.1 ANNUAL INSPECTION

Synetik Group Inc. recommends that a comprehensive inspection of the device be performed annually. Ensure that you carefully check **both the functionality and the condition of all components** (breaks, cracks, wear affecting the structural integrity or safe operation of the product).

Components to inspect:

- Base / wheels / side wheels / brakes
- Side wheel locks
- Frame / hinges
- Table
- Footplate
- Gas cylinder
- Padding / covers
- Straps / buckles
- Plastic parts
- Metal parts
- Locking knobs
- Nuts and bolts

17.2 MAINTENANCE AND REPAIR

Maintenance and repairs must be performed only by qualified personnel. The user of this product must ensure that all prescribed inspections and maintenance are carried out regularly and in a timely manner. If any damage is observed, the user must promptly report and have it repaired immediately by qualified personnel.

17.3 REPLACEMENT PARTS

- Only original replacement parts may be used for repairs.
- If a part is missing or damaged, stop using the product immediately and contact an authorized representative of Synetik Group Inc. Replacement parts can be ordered separately through an authorized agent of Synetik Group Inc. or via Customer Service.
- Disassembly and assembly of replacement parts must be carried out only by qualified personnel.
- If the product needs to be returned, ensure it is securely packaged for transport.

18. MAINTENANCE SERVICES

Maintenance of all Synetik products must be performed only by technically competent personnel trained in the use of the product. In Canada, please contact the Synetik Service Center at 1-866-739-2400 or client@synetikgroup.com. Our Customer Service team will be happy to assist you with your maintenance needs.

19. STORAGE

- Store the product in a safe, dry place (not humid) when not in use.
- Do not place heavy objects on the table during storage.
- If the product is damp or wet, wipe down all metal and plastic parts and allow them to air dry before storing.

20. REUSE WITH A NEW USER

This product can be reused by a new user. Before transferring it to the next user, the product must always be thoroughly cleaned and disinfected. The condition of wear and deterioration must be checked by trained and specialized personnel. Any damage must be repaired to ensure the product can continue to be used safely by the new user. Operating instructions are part of the product and must be provided to the new user. The product's settings must be adjusted to the body dimensions of the next user. If necessary, have the settings adjusted by a qualified technician or therapist.

21. TECHNICAL SPECIFICATIONS

	VERTIFLEX Standard and Abduction		
	SIZE 1	SIZE 2	SIZE 3
User height (floor to axilla)	43.2 cm-76.223 cm (17"-30")	58.4 cm-96.5 cm (23"-38")	78.7 cm-134.6 cm (31"-53")
Maximum user weight	22.7 kg (50 lb)	31.8 kg (70 lb)	68 kg (150 lb)
Chest width	12.7 cm-45.7 cm (5.5"-18")	12.7 cm-45.7 cm (5.5"-18")	12.7 cm-45.7 cm (5.5"-18")
Chest lateral height	10.2 cm (4")	10.2 cm (4")	12.7cm (5")
Hip width	12.7 cm-45.7 cm (5.5"-18")	12.7 cm-45.7 cm (5.5"-18")	12.7 cm-45.7 cm (5.5"-18")
Hip lateral height	10.2 cm (4")	10.2 cm (4")	12.7 cm (5")
Knee width	2.5 cm-7.2 cm (1.5"-3.5")	5.1 cm-10.2 cm (2.5"-4")	5.1 cm-12.7 cm (2.5"-5.5")
Knee lateral height	7.6 cm (3.5")	10.2 cm (4")	10.2 cm (4.5")
Frame tilt	0 to 90 degrees	0 to 90 degrees	0 to 90 degrees
Overall base width	55.9 cm (22")	66 cm (26")	66 cm (26")
Overall base length	86.4 cm (34")	99.1 cm (39")	99.1 cm (39")
Table inner width	50.8 cm (20")	55.9 cm (22")	61 cm (24")
Table inner length	50.8 cm (20")	50.8 cm (20")	50.8 cm (20")
Table tilt angle	0 to 25 degrees	0 to 25 degrees	0 to 25 degrees
Footrest platform (width x length)	25.4 cm x 30.5 cm (10.25" x 12.875")	38.1 cm x 45.7 cm (15.25" x 18")	38.1 cm x 45.7 cm (15.25" x 18")

	VERTIFLEX Mobile	
	SIZE 2	SIZE 3
User height (floor to axilla)	58.4 cm-96.5 cm (23"-38")	78.7 cm-134.6 cm (31"-53")
Maximum user weight	31.8 kg (70 lb)	68 kg (150 lb)
Chest width	12.7 cm-45.7 cm (5.5"-18")	12.7 cm-45.7 cm (5.5"-18")
Chest lateral height	10.2 cm (4")	12.7cm (5")
Hip width	12.7 cm-45.7 cm (5.5"-18")	12.7 cm-45.7 cm (5.5"-18")
Hip lateral height	10.2 cm (4")	12.7 cm (5")
Knee width	5.1 cm-10.2 cm (2.5"-4")	5.1 cm-12.7 cm (2.5"-5.5")
Knee lateral height	10.2 cm (4")	10.2 cm (4.5")
Frame tilt	0 to 90 degrees	0 to 90 degrees
Overall base width	66 cm (26")	66 cm (26")
Overall base length	99.1 cm (39")	99.1 cm (39")
Table inner width	55.9 cm (22")	61 cm (24")
Table inner length	50.8 cm (20")	50.8 cm (20")
Footrest platform (width x length)	40 cm x 38.7 cm (15.75" x 15.25")	40 cm x 38.7 cm (15.75" x 15.25")



1242, rue de Lanaudière
Joliette (Québec)
Canada J6E 3P1



1-450-759-9449
1-866-739-2400



www.synetikergocare.com



Printed in Canada

Synetik
ErgoCare

Stand **up**
Strong