

1 2 3

Company/ATP:

PO number:

Marked for:

BILL TO:

SHIP TO:

Address

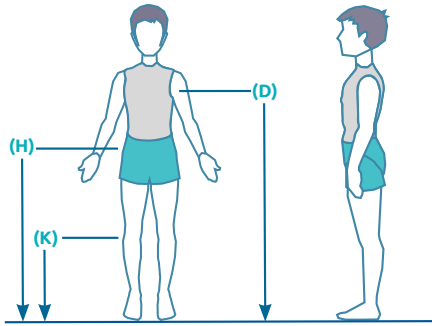
City, State, Zip

Phone

Email

Comments:

1 SKY sizes



HEIGHT	(D) Floor to axilla
	(K) Floor to knee
	(H) Floor to mid hip

SIZE 1		SIZE 2		SIZE 3	
Max weight: 100 pounds		Max weight: 160 pounds		Max weight: 160 pounds	
Minimum	Maximum	Minimum	Maximum	Minimum	Maximum
20"	32"	27"	41"	34"	48"
4"	12"	4"	16"	4"	20"
15"	25"	19.5"	31"	25.5"	38"

2 SKY multi-positioning upright prone standing frame

■ Size 1 - \$ 5,033 (023-00001-1)

■ Size 2 - \$ 5,033 (023-00001-2)

■ Size 3 - \$ 5,033 (023-00001-3)

3 Included

Locking casters (023-00020)

Pneumatic tilt system (023-00021)

4 Options

■ Half tray padding - \$ 246 (023-00022)

5 SKY adjustment range

Frame tilt

- Size 1 (0 to 24 degrees)
- Size 2 (0 to 26 degrees)
- Size 3 (0 to 19 degrees)

Tray

- Height adjustment (3")
- Front and rear adjustment (3.25")
- Tilt adjustment (0 to 25 degrees)

Thoracic support

- Height adjustment Size 1 (12")
Size 2 (14")
Size 3 (14")
- Width adjustment (4")

Hip support

- Height adjustment Size 1 (10")
Size 2 (11.5")
Size 3 (12.5")
- Width adjustment (4")
- Depth adjustment Size 1 (4.25")
Size 2 (5.25")
Size 3 (6.25")

Knee support

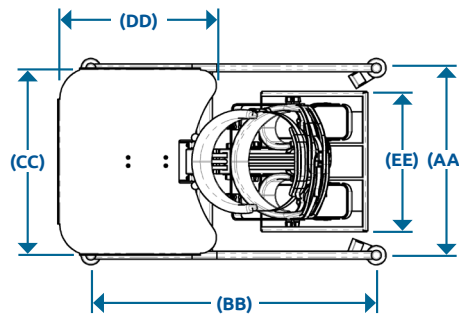
- Height adjustment Size 1 (8")
Size 2 (12")
Size 3 (16")
- Width adjustment (1.8125")
- Front and rear adjustment (2")

Foot holder

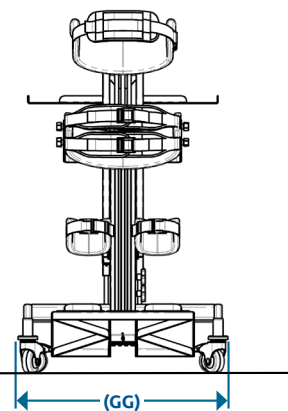
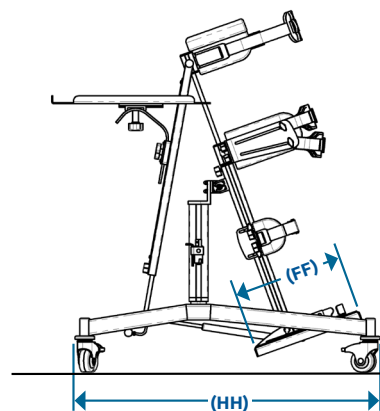
- Moveable using hook-and-loop strip

6 SKY dimensions

The SKY includes frame tilt, tray, thoracic support, hip support and knee support.



		SIZE 1	SIZE 2	SIZE 3
DIMENSIONS	(AA) Base width	20"	24"	24"
	(BB) Base length	30"	36"	36"
	(CC) Tray width	20"	24"	24"
	(DD) Tray length	16"	20"	20"
	(EE) Foot plate width	14"	18"	18"
	(FF) Foot plate length	12"	14"	14"
	(GG) Overall width	22.5"	26.5"	26.5"
	(HH) Overall length	32.5"	38.5"	38.5"



7 SKY technical specs

	SIZE 1	SIZE 2	SIZE 3
USER SIZE AND WEIGHT			
User height (floor to axilla)	20"-32"	27"-41"	34"-48"
User weight	100 lbs	160 lbs	160 lbs
Knee to floor measurement	4"-12"	4"-16"	4"-20"
Mid hip to floor measurement	15"-25"	19.5"-31"	25.5"-38"
CHEST			
Maximum chest circumference	29"	33"	40"
Chest width	5"-9"	7"-11"	9"-13"
Chest support height	4"	4"	5"
HIP			
Maximum hip circumference	29"	33"	40"
Hip width	5"-9"	7"-11"	9"-13"
Hip support height	4"	4"	5"
BASE			
Base width (c/c wheels)	20"	24"	24"
Base length (c/c wheels)	30"	36"	36"
TRAY			
Tray inside width	20"	24"	24"
Tray inside length	16"	20"	20"
Tray tilt angle range	0 to 25 degrees	0 to 25 degrees	0 to 25 degrees
Measurement from table to axilla	1.3"-3.9"	3"-5.6"	4.3"-7.2"
KNEE			
Maximum knee circumference	13"	15"	17"
Knee width	1.5"-3.5"	2.5"-4"	3"-5.5"
Knee support height	4"	4"	4.5"
FOOT PLATE AND FOOT HOLDER			
Foot plate (Width X Length)	14" x 12"	18" x 14"	18" x 14"
Foot holder (Width X Length)	3.5" x 7.5"	4" x 9.5"	4.75" x 12"
OTHERS			
Frame tilt range	0 to 24 degrees	0 to 26 degrees	0 to 19 degrees
Floor to foot plate measurement	4.5"	3"	3"
Unit weight with Tray	38 lbs	48 lbs	53 lbs
Overall width	22.5"	26.5"	26.5"
Overall length	32.5"	38.5"	38.5"
User height (from floor to top head)	28"-47"	37"-59"	48"-72"